



IAQ Sensor DC for Reiri	
Model	DCPE02S
IAQ Parameter	PM2.5; CO2, TVOC; Temperature; Humidity
Controller Connection	RS485 (Modbus) port
Maximum Connection per RS485 port	30 sensors with DCPF01/DCPF04 controller 20 sensor with DCPH01 controller
Power Supply	24 VAC ± 10 %; or 18 ~24 VDC
Dimension	95mm × 117mm × 36mm
Weight	160 g

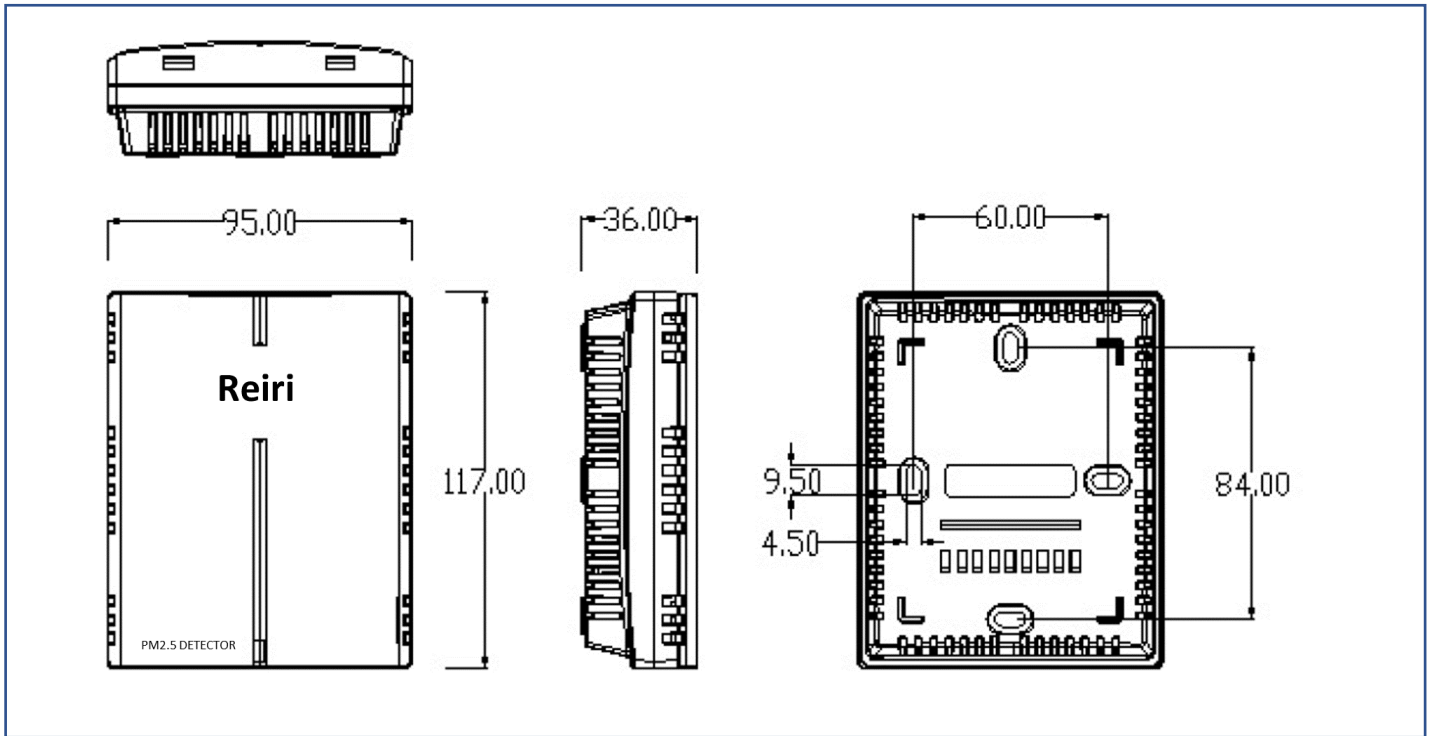
IAQ Sensor DC for Reiri is a multiple environmental monitoring sensor to manage indoor air quality (temperature, humidity, PM2.5, CO2 and TVOC) via Modbus communication for both commercial and residential applications. By connecting to Reiri controller, Daikin Air-conditioning and other smart devices can be controlled automatically in response to different air quality status to provide a complete comfort solution.

Connectable Reiri Controller:

- Reiri for Office - DCPF01
- Reiri for Office (Touchscreen Controller) – DCPF04
- Reiri for Home – DCPH01

PM2.5 Data	
Sensor Type	Laser particle sensor, Light scattering method
Range	0 ~ 500 µg/ m ³
Output Resolution	1 µg/ m ³
Zero Point Stability	± 5µg/ m ³
Accuracy	< ±15% (@ 25 °C, 10~ 50 % RH)
CO2 Data	
Sensor Type	Non-Dispersive Infrared Detector (NDIR)
Range	400 ~2,000 ppm
Output Resolution	1 ppm
Accuracy	± 75 ppm or 10% of reading (@ 25 °C, 10~ 50 % RH)
TVOC Data	
Sensor Type	TVOC module
Range	0~ 4 mg/ m ³
Output resolution	0.001 mg/ m ³
Accuracy	≤ ±0.05mg/m ³ +15% of the reading
Temperature	
Sensor	High precision digital integrated temperature and humidity sensor
Range	-20 °C ~ 60 °C
Output resolution	0.01 °C
Accuracy	<± 0.5 °C @ 25 °C
Humidity	
Sensor	High precision digital integrated temperature and humidity sensor
Range	0 ~ 99% RH
Output resolution	0.01% RH
Accuracy	<± 3.0 % RH (20%~80%RH)

Wiring diagram:



Wiring diagram:

Reiri for Office
Reiri for Home

Port 3
USB Priority 1

Port 4
USB Priority 2

D D G D D G
 1 1 N 2 2 N
 + - D + - D

Port 4
USB Priority 2

Port 3
USB Priority 1

Reiri for Office
(Touchscreen Controller)

G D D G D D
 N 2 2 N 1 1
 D - + D - +

ONLY!

IAQ Sensor DC for Reiri Terminal

Connect the Modbus RS485 connection from the IAQ sensor to RS485 Port. If RS485 ports are not available, use the USB port with a USB to RS485 converter. Connect to USB port priority 1 first.

Type of Communication	Cable Type	Cable Thickness	Max. Distance
Modbus	Twisted pair cable	AWG 24 (0.25 mm ²) to AWG 18 (0.75mm ²)	200 meters