



IAQ Sensor AC for Reiri	
Model	DCPE01S
IAQ Parameter	PM2.5; CO2; TVOC; Temperature; Humidity
Controller Connection	RS485 (Modbus) port
Maximum Connection per RS485 port	30 sensors with DCPF01/DCPF04 controller 20 sensors with DCPH01 controller
Power Supply	100-240 VAC
Dimension	130mm × 130mm × 45mm
Weight	380 g

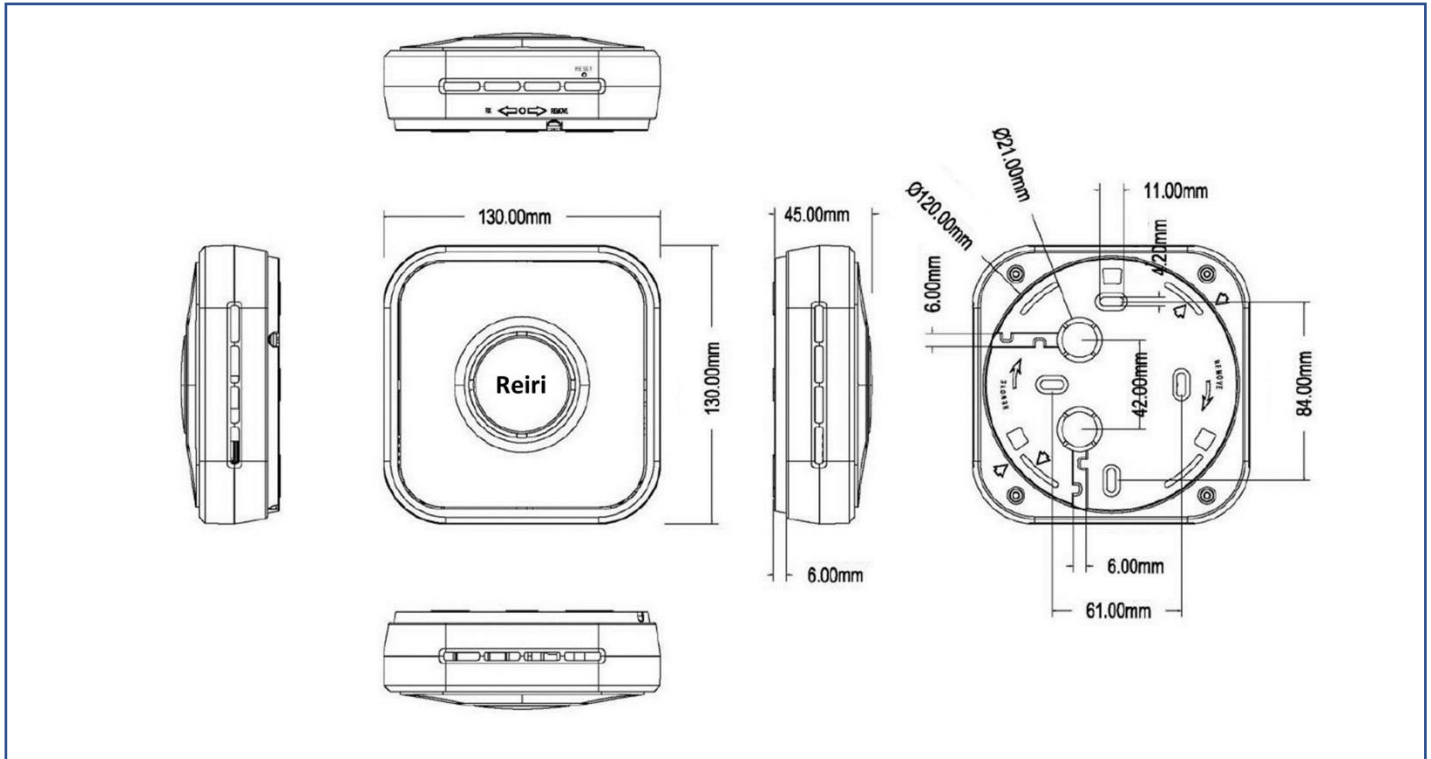
IAQ Sensor AC for Reiri is a multiple environmental monitoring sensor for indoor air quality (temperature, humidity, PM2.5, CO2 and TVOC) via Modbus communication with high precision and accuracy for both commercial and residential applications. By connecting to Reiri controller, Daikin Air-conditioning and other smart devices can be controlled automatically in response to different air quality status to provide a complete comfort solution

### Connectable Reiri Controller:

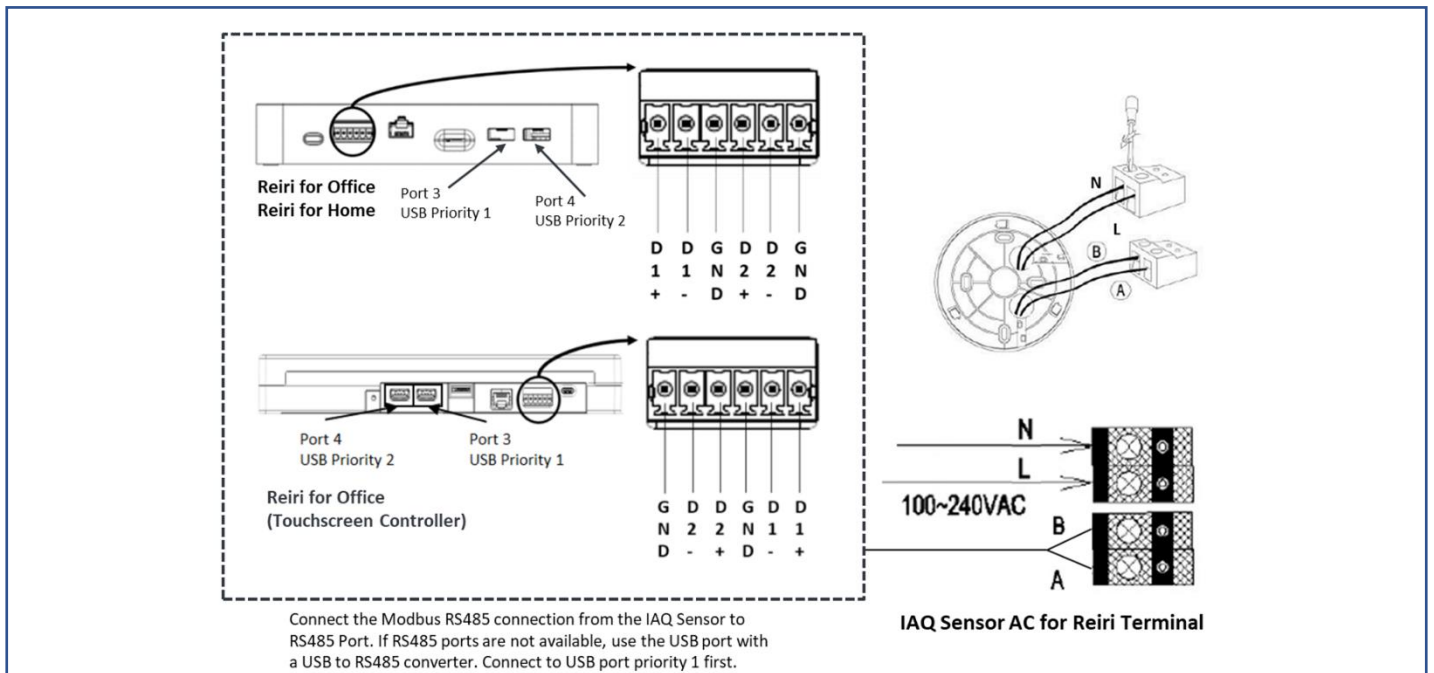
- Reiri for Office
- Reiri for Office (Touchscreen Controller)
- Reiri for Home

PM2.5 Data	
Sensor Type	Laser particle sensor, Light scattering method
Range	0 ~ 500 µg/ m <sup>3</sup>
Output Resolution	0.1 µg/ m <sup>3</sup>
Zero Point Stability	± 3µg/ m <sup>3</sup>
Accuracy	10% of reading (0 ~ 300 µg/ m <sup>3</sup> , @ 25 °C, 10~ 60 % RH)
CO2 Data	
Sensor Type	Non-Dispersive Infrared Detector (NDIR)
Range	0 ~5,000 ppm
Output Resolution	1 ppm
Accuracy	± 50 ppm + 3% of reading (@ 25 °C, 10~ 60 % RH)
TVOC Data	
Sensor Type	Metal oxide gas sensor
Range	0~ 4 mg/ m <sup>3</sup>
Output resolution	0.001 mg/ m <sup>3</sup>
Accuracy	± 0.05 mg + 10 % of the reading (0~ 2 mg/ m <sup>3</sup> @ 25 °C, 10~ 60 % RH)
Temperature	
Sensor	High precision digital integrated temperature and humidity sensor
Range	-20 °C ~ 60 °C
Output resolution	0.01 °C
Accuracy	<± 0.6 °C @ 25 °C
Humidity	
Sensor	High precision digital integrated temperature and humidity sensor
Range	0 ~ 99% RH
Output resolution	0.01% RH
Accuracy	<± 4.0 % RH (20%~80%RH)

### Product Dimension:



### Wiring diagram:



Type of Communication	Cable Type	Cable Thickness	Max. Distance
Modbus	Twisted pair cables	AWG 24 (0.25 mm <sup>2</sup> ) to AWG 18 (0.75mm <sup>2</sup> )	200 meters